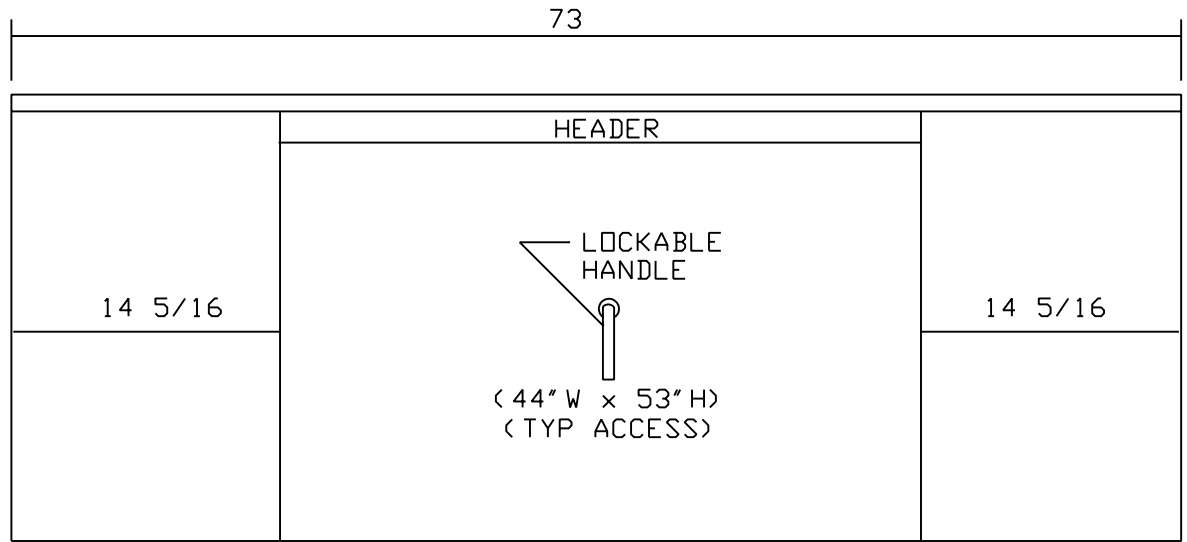


LEFT SIDE VIEW

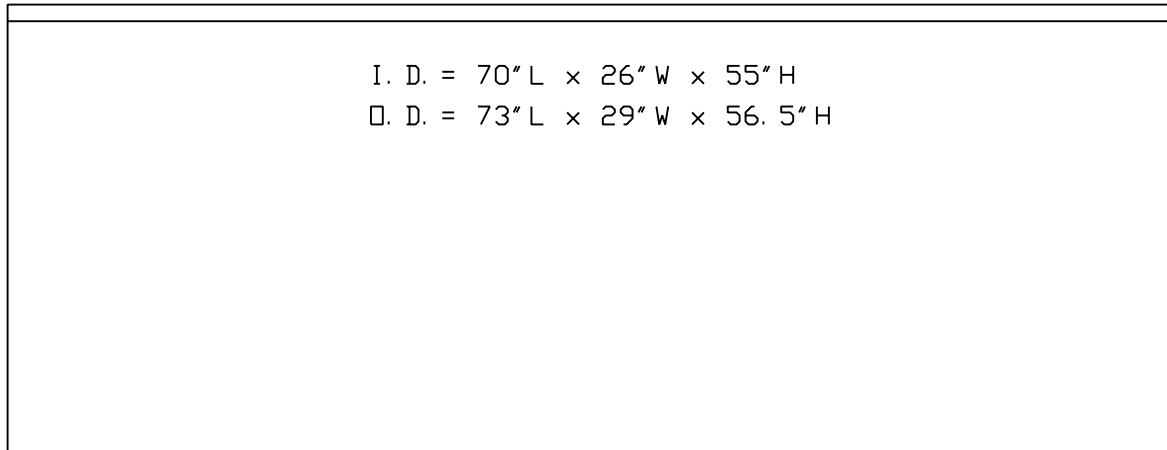
29

56.5

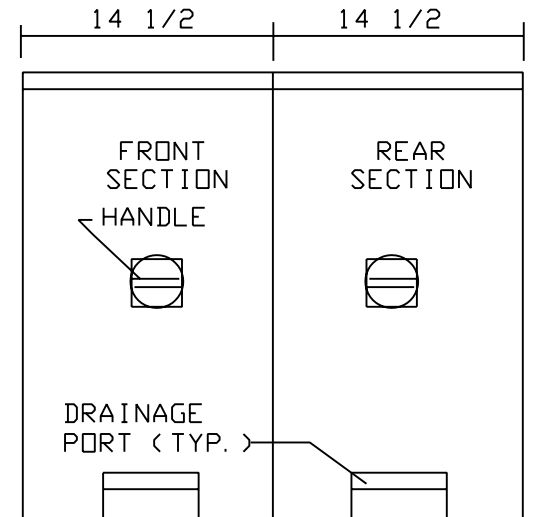


FRONT VIEW

73



REAR VIEW



RIGHT SIDE VIEW

RECOMMENDED SLAB SIZE : 82" L x 38" W x 4" MINIMUM THICKNESS

RESTRICTED DRAWING.
PATENT # 4,726,394.

Hot Box®
924 LANE AVE. N.
JACKSONVILLE, FLORIDA 32254
(904) 786-0204 (800) 736-0238
FAX (904) 783-6965
<http://www.hot-box.com>

TITLE :
LB3E-AL (STANDARD 2-PC AL ENCLOSURE - NO HEAT)

BY/DATE/DWG:
MED / 4-15-05
LB3E-AL

ENGINEER / CONTRACTOR :

LOCATION :

APPROVED/DATE :

REV. 1 :

REV. 2 :

REV. 3 :

SCALE :
N. T. S.

REP. / DISTRIBUTOR :

QUOTE NO.: