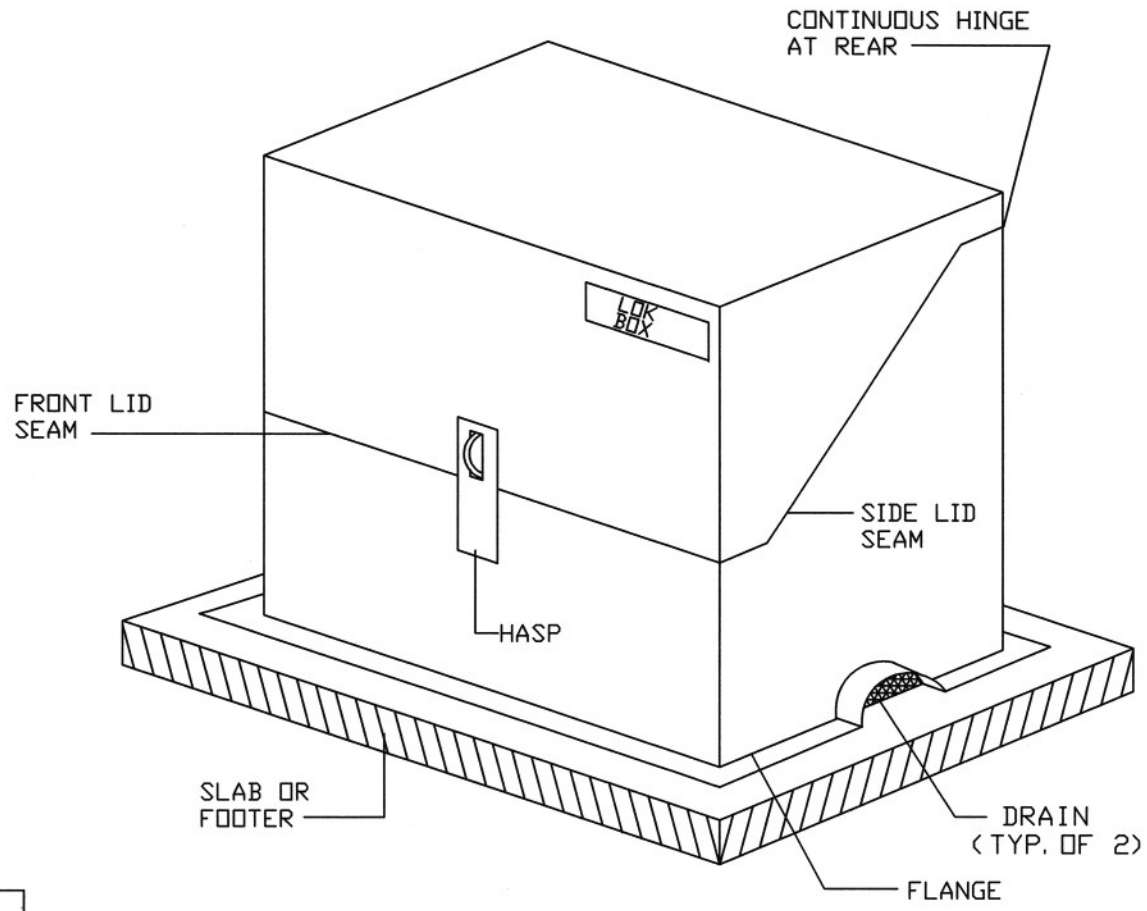
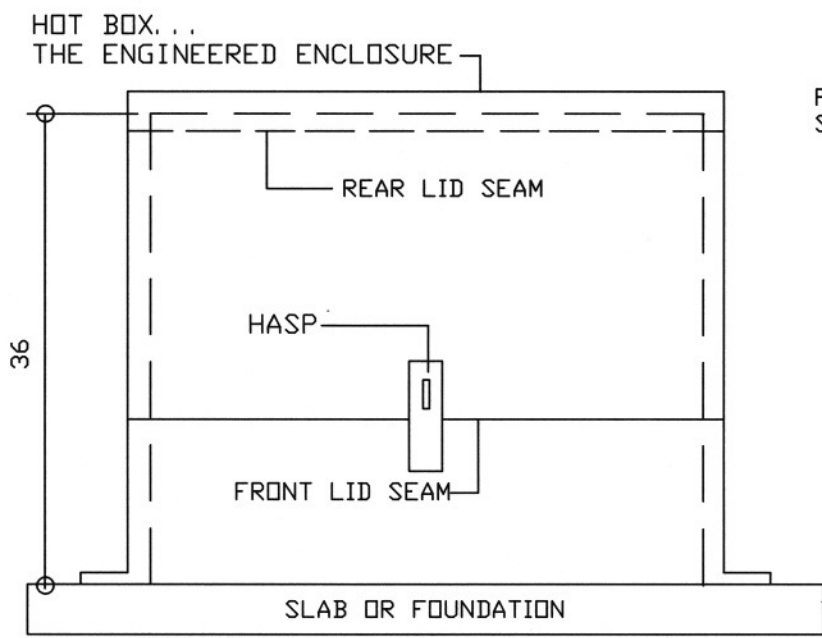


NOTE :

1. RECOMMENDED SLAB SIZE : 58'L x 24'W x 4" MINIMUM THICKNESS.
2. THIS UNIT IS THE HB2ST WHEN ORDERED WITH HEAT.
3. OPTIONAL HEAT PROVIDED BY A 90W, 120V, 1-PH HEAT CABLE.



RESTRICTED DRAWING.
PATENT # 4,726,394.

<p>Hot Box® 924 LANE AVE. N. JACKSONVILLE, FLORIDA 32254 (904) 786-0204 (800) 736-0238 FAX (904) 783-6965 http://www.hot-box.com</p>		<p>TITLE : STANDARD # LB2ST FIBERGLASS FLIP-TOP ENCLOSURE</p>		<p>BY/DATE/DWG: BGA / 8-29-97 LB2ST</p>	
<p>ENGINEER / CONTRACTOR :</p>			<p>LOCATION :</p>		<p>APPROVED/DATE :</p>
<p>REV. 1 :</p>	<p>REV. 2 :</p>	<p>REV. 3 :</p>	<p>SCALE: N. T. S.</p>	<p>REP. / DISTRIBUTOR :</p>	
					<p>QUOTE NO.:</p>