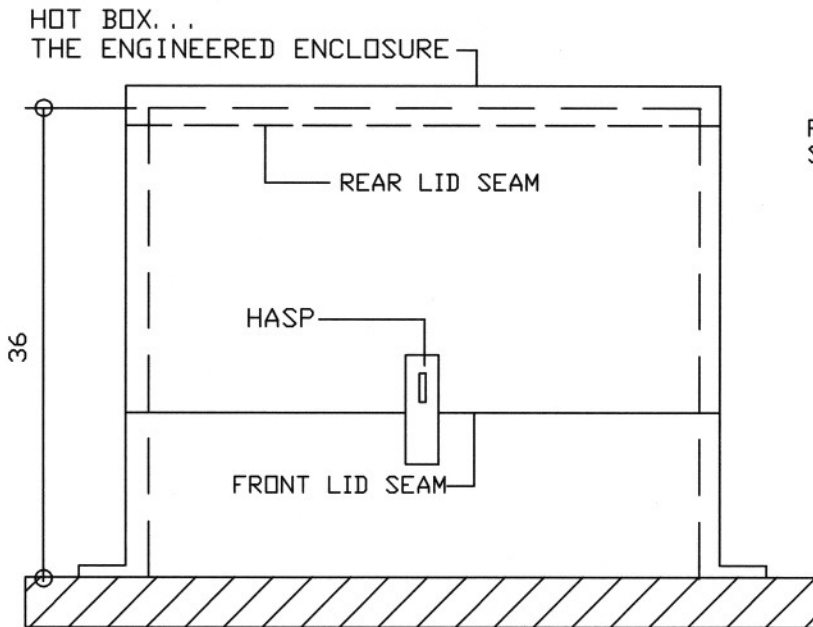
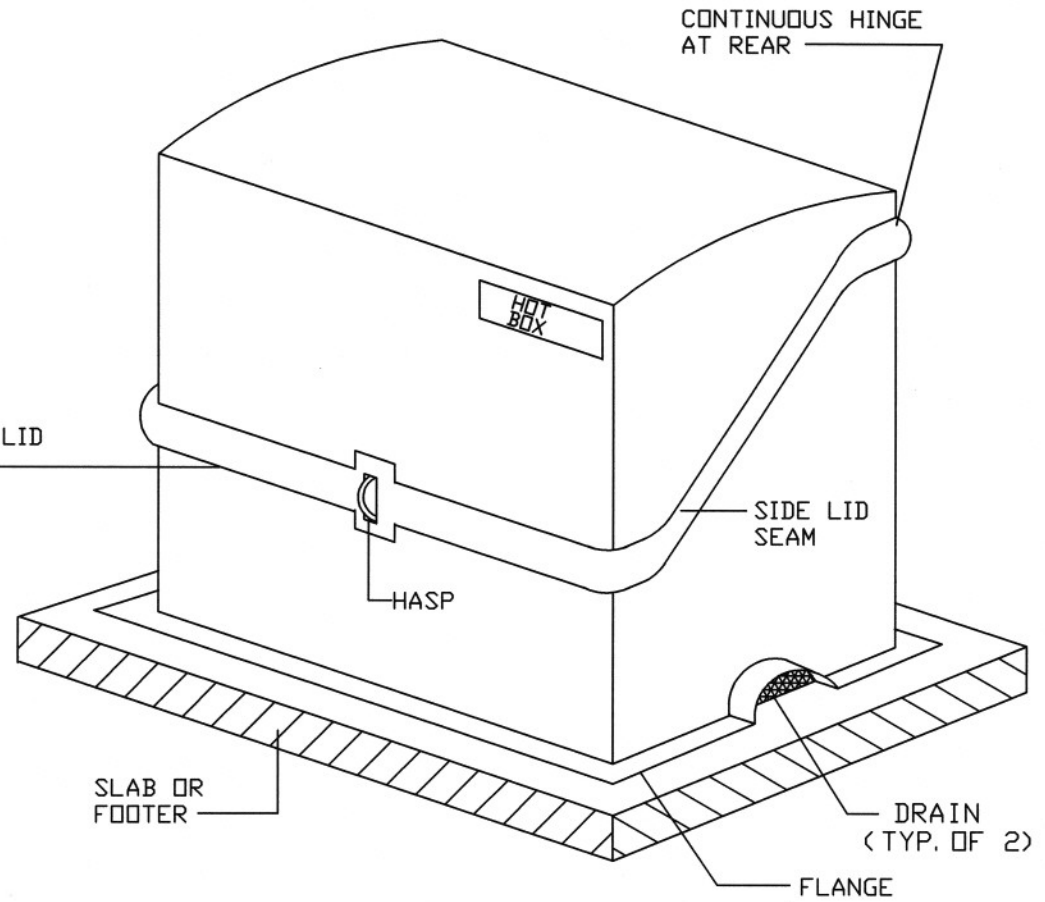


NOTE :

1. RECOMMENDED SLAB SIZE : 50" L x 24" W x 4" MINIMUM THICKNESS.
2. HEAT IS PROVIDED BY A 90W, 120V, SINGLE PHASE HEAT TRACE CABLE.
3. THIS UNIT IS THE LB2T WHEN ORDERED WITHOUT HEAT.



RESTRICTED DRAWING.
PATENT # 4,726,394.

Hot Box®
924 LANE AVE. N.
JACKSONVILLE, FLORIDA 32254
(904) 786-0204 (800) 736-0238
FAX (904) 783-6965
<http://www.hot-box.com>

TITLE :
STANDARD # HB2T FIBERGLASS FLIP-TOP ENCLOSURE

BY/DATE/DWG:
BGA / 8-29-97
HB2T

ENGINEER / CONTRACTOR :

LOCATION :

APPROVED/DATE :

REV. 1 :

REV. 2 :

REV. 3 :

SCALE:

N. T. S.

REP. / DISTRIBUTOR :

QUOTE NO.: