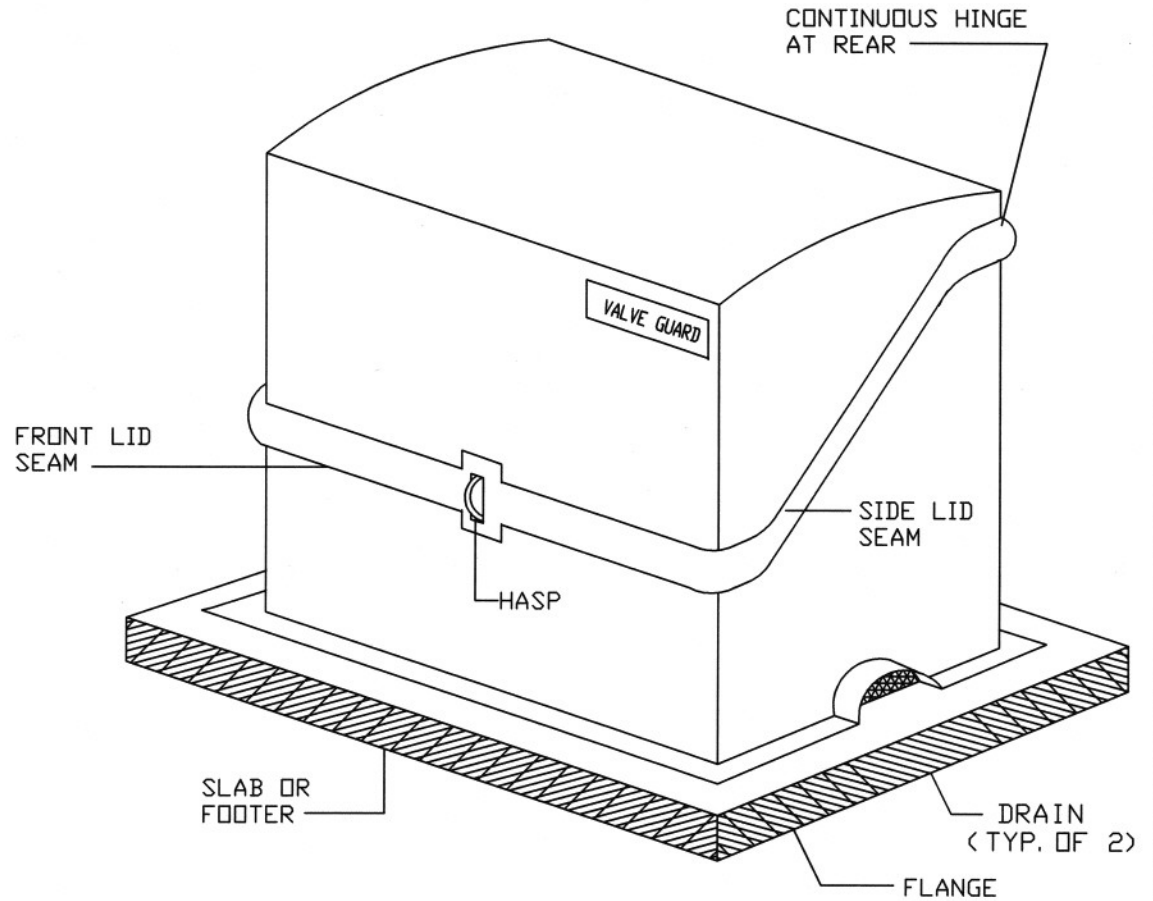
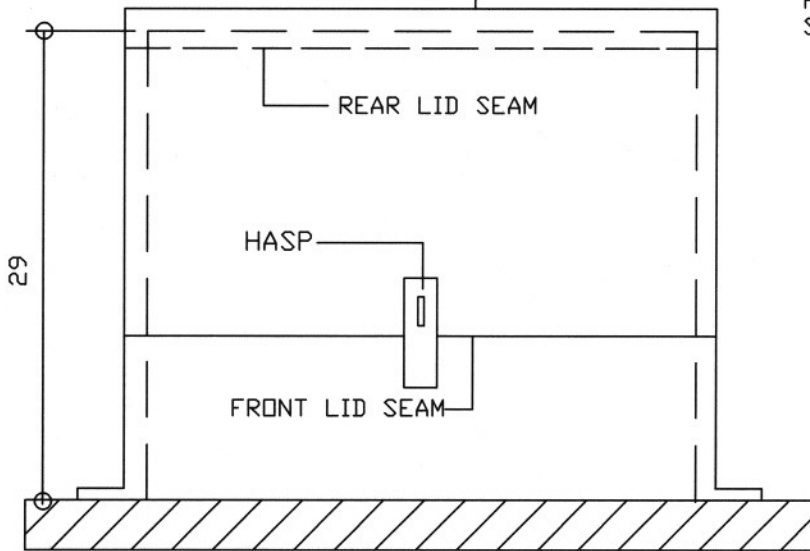


NOTE :

1. RECOMMENDED SLAB SIZE : 50" L x 24" W x 4" MINIMUM THICKNESS.

HOT BOX...  
THE ENGINEERED ENCLOSURE



RESTRICTED DRAWING.  
PATENT # 4,726,394.

Hot Box®  
924 LANE AVE. N.  
JACKSONVILLE, FLORIDA 32254  
(904) 786-0204 (800) 736-0238  
FAX (904) 783-6965  
<http://www.hot-box.com>

TITLE : STANDARD # VG2 NON-INSULATED FIBERGLASS  
FLIP-TOP ENCLOSURE

BY/DATE/DWG:  
SBT / 9-17-99  
VG2

ENGINEER / CONTRACTOR :

LOCATION :

APPROVED/DATE :

REV. 1 :  
MED / 5-17-04

REV. 2 :

REV. 3 :

SCALE:  
N. T. S.

REP. / DISTRIBUTOR :

QUOTE NO.: